

HEAVY



Heavy FV54 6x4.

AMT / AIR SUSP. / MWB



40,000KM SERVICE INTERVALS

GVM

24,000_{KG}

GCM

53,000_{KG}

Power/Torque

455_{HP} / 2,200_{NM}

- Heavy rigid licence required

SPECIFICATIONS

FUSO

HEAVY

MODEL

6x4 FV54 Air Susp 455hp. MWB 12 Sp. AMT (FV54SK5VFAA)

WHEEL BASE

4300mm

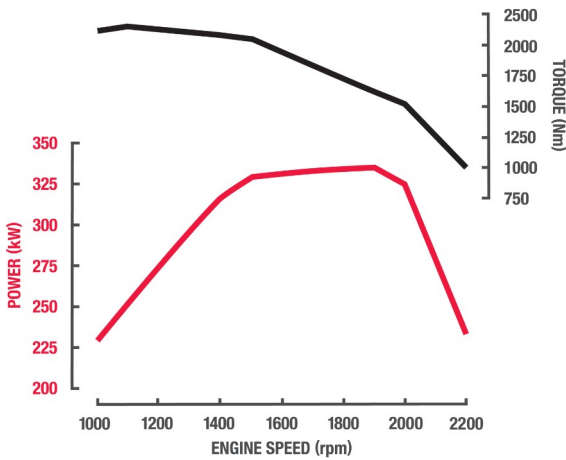
GVM (optional)

24,000kg

GCM (optional)

53,000kg

Engine	
Engine Version	FUSO OM457-T5 Diesel
Configuration	6 Cyl. In-line OHV
Type	Waste-gate Turbocharged with Air to Air Intercooled
Displacement	12 litre (11967cc)
Bore	128mm
Stroke	155mm
Power (DIN)	335kW @ 1900 rpm
Torque (DIN)	2200 Nm (1622 lb.ft) @ 1100 rpm
Maximum Engine Speed	2100 rpm
Cooling System / Oil Cooler	Water cooled, 32.0L capacity/ Plate type engine oil cooler
Air Cleaner	Paper Element Type with Restrictor Indicator. Vertical Intake Mounted on Clean Air Side (RH)
Emission Control	Selective Catalytic Reduction (SCR)
Emission Level	ADR 80/03 - Euro 5



Fuel	
Injection System	Electronically Controlled Unit Pump Injection
Tank Type	Rectangular Alloy Tank with Locking Cap
Fuel Capacity *	400 Litres
Filtration	Filter with Water Separator and Dash Indicator
AdBlue Exhaust Fluid Capacity	40 Litres, Tank fitted with locking AdBlue cap
Speed Limiter	Speed Limited 100km/h
Notes	*Max Fill to approx 95% of Air Capacity

Cooling	
Fan Drive	Thermo modulated continuous control (Viscous)
Radiator	Corrugated Fin with Expansion Tank

Electrical	
Voltage	24V Negative Ground
Alternator Capacity	24V-80 amp
Starter Capacity	24V-7.0kW
Battery Capacity	2x12V, 150Ah/20hr
Battery Specification	2x145G51 (N150)
Headlamp Type	Halogen
Headlamp Capacity	Low beam 2x70W High beam 2x70W
Fog Light	Halogen

Clutch	
Clutch Model	FUSO C12W43P
Type	Single Plate
Operation/Specification	Automated Manual (no clutch pedal)

Transmission	
Version	FUSO Automated Manual G230-12
Type/Speeds	12 Speed Automated Manual with Auto and Manual Modes
Features	Crawler Mode Skip Shift Function for Light Loads ECO Mode to Minimise Fuel Usage
Ratios	1st: 11.672 2nd: 9.101 3rd: 7.055 4th: 5.501 5th: 4.400 6th: 3.430 7th: 2.652 8th: 2.068 9th: 1.603 10th: 1.250 11th: 1.000 12th: 0.779 RHigh: 9.101 RLow: 11.673 Torque limited to 1775Nm from 1st to 3rd and Reverse
PTO Opening	LH Side & Rear XMSN

Propeller Shaft	
Type	Single Main Shaft GW5E2200 Inter-axle Shaft P10

Front Axle	
Axle Version	FUSO F090T
Type	Reverse Elliot 'I' Beam
Capacity *	7500kg
Notes	*See MAX LOADING for vehicle capacity.

Front Suspension	
Type	Long Taper Leaf with Double Acting Shock Absorbers
Size	1500x90mm Leaves

Rear Axle	
Type	Full Floating Hypoid Type Tandem Drive with Inter-Axle Diff Lock Limited Slip Differential (LSD) to both Axles
Axle Version	FUSO R10/D10
Capacity*	21600kg
Ratio	4.625:1
Notes	*See MAX LOADING for vehicle capacities

Rear Suspension	
Type	Air Suspension
Details	Trailing Arm with Air Dump Control and Double Acting Shock Absorbers
Road Friendly Certification Number	RF2011
Capacity at Ground *	18000kg total*
Notes	*See MAX LOADING for vehicle capacities

Max Loading	
Front	6500kg
Rear	18000kg
Total	24000kg

Options	
Steering	
Type	Integral Ball and Nut
Steering Column	Tilt/Telescopic Adjustable

SPECIFICATIONS

FUSO

HEAVY

MODEL

6x4 FV54 Air Susp 455hp. MWB 12 Sp. AMT (FV54SK5VFAA)

WHEEL BASE

4300mm

GVM (optional)

24,000kg

GCM (optional)

53,000kg

Brakes

Type	Full Air, Dual Circuit with FUSO Taper Rollers, ABS plus ASR (Anti Slip Regulator)
Size Front	410x150mm
Size Rear	410x200mm
Park Brake	Rear Wheel Spring Actuated
Engine	Constant Throttle Brake 4 Levels of Retardation
Trailer	Hand Control Valve, Air Lines Coupling and Electrical Cable

Wheels & Tyres

Wheel Type	11, Single Piece Alloy Disc (Including Spare)
Wheel Size	22.5x8.25DC
Wheel Stud Pattern	10x335mm PCD
Tyre Size Front	295/80R22.5 152/148
Tyre Size Rear	11R22.5 148/145
Tyre Size Spare	295/80R22.5 152/148
Spare Tyre Carrier	Not Provided

Chassis

Type	Reinforced Parallel Channel
Size	300x90x7.0 mm
Width	840 mm
Tensile Strength	540Mpa

Instruments

Gauges	Speedometer with Odometer Tachometer Air Pressure (2) Fuel Level Water Temperature AdBlue Level
Colour Information Display	Fuel Consumption Service Indicators Hour Meter and Tripmeter Oil Level Check
Warning Lamps	ABS ASR Turn Signal High Beam Engine Brake & Shift Down Brake Fog Lamp All Major System Faults Oil Level Ad Blue Low Air Suspension Low Alternator Differential Lock Cruise Control Cab Tilt Lock
Warning Lamp/Buzzer	Air Pressure Oil Pressure Hill Start Park Brake Engine Overrun Engine Overheat / Low Coolant Level

Multi-Media Package

Satellite Navigation	Maps with heavy vehicle weight, length, height & hazardous material selectable restrictions with 3 years of Map updates
Colour Display	6.1 inch LCD with touch screen control
Phone Connectivity	Bluetooth® hands free
Audio Visual Entertainment	CD/DVD player Digital radio DAB+ (also AM/FM for areas not covered by DAB+)
Reversing Camera Compatible	Display can accept up to 3 cameras#
Notes	# Cameras available through spare parts

Standard Features

Airbag(s)	Driver's Air Bag and Seat Belt Pre-tensioners
Hill Start System	Yes
Cab Cooling & Heating	Climate Control
Accessory Power	24V Accessory Power Outlet / Cigar Lighter
Driving	Suspended Driver's Seat Central Locking Electric Windows Cruise Control (range 40 to 100km/h) LH Transom Window Opening Rear Quarter Glass Cup Holder Fluorescent Cabin Lamp Trailer Package including Trailer 'Stretch Brake'
Storage	Centre Storage Console Dash Storage Tray 2 DIN Driver's Overhead Storage Coat Hooks
Cab: External	Fog Lights Door Side Impact Beams Roof Mounting Points (max. static load 70kg) Front End-Outline Marker Lamps
Chassis	Integrated Front Underrun System (FUPS) Reverse Warning Buzzer Clear Top of Chassis Rail for ease of Body Fitment

Cab Features

Type	All Steel Forward Control Elec / Hyd Tilt Cab
Cab Structure	ECE-R29 Standard
Mounting	Air Suspended Front and Rear
Colour	Natural White
Windscreen Wipers	2 Speed + Intermittent Cycle with Integrated Washer Nozzles
Rear Vision Mirrors	2 x External Flat Main Mirrors Plus Convex Spotters Motorised Main Mirrors, All Mirrors Heated
Seating Capacity	2
Seat Belts	2 Lap Sash
Seat (driver)	Suspended (ISRI)
Seats (passenger)	High Back Fixed Base
Sleeping	ADR42/04 Approved Sleeping Berth

Service Intervals

Interval*	40,000km or 12 Months (whichever occurs first)
Notes	* based on normal operating conditions and may be reduced when operating under severe conditions.

Warranty

Basic/Powertrain	5 Years or 500,000kms (whichever occurs first)
------------------	--

Performance

Turning Circle (kerb to kerb - metres)	15.0
Electronically Speed Limited to:	100km/hr Conforms to ADR65/..
Engine Speed (rpm) at 100km/hr (top gear)	1891
Gradeability at Rated GCM (theoretical)*	30%
Notes	*This is theoretical performance only. Actual performance may vary under different conditions

Mass (estimated)*

Front*	4385kg
Rear*	3210kg
Total*	7595kg
Notes	* Mass (est.) includes oil and water but excludes spare wheel, tools & fuel. Weights provided are subject to 3.5% variation (+/-)

SPECIFICATIONS

FUSO

HEAVY

MODEL

6x4 FV54 Air Susp 455hp. MWB 12 Sp. AMT (FV54SK5VFAA)

WHEEL BASE

4300mm

GVM (optional)

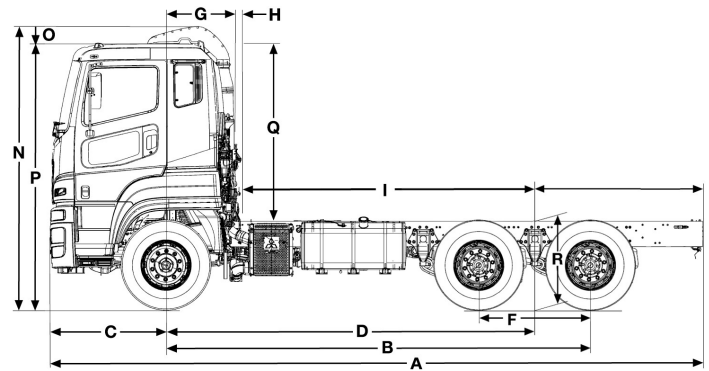
24,000kg

GCM (optional)

53,000kg

Dimensions (mm)

WFF (Width Front Fender) (mm)	2490
WRA (Width Rear Axle) (mm)	2470
WFT (Width Front Track) (mm)	2055
WRT (Width Rear Track) (mm)	1850
Width Frame (mm)	840
A - Length Overall (mm)	7640
B - Extreme Axle Spacing (mm)	4960
C - Front Overhang (mm)	1370
D - Wheelbase (mm)	4300
F - Rear Axle Spacing (mm)	1320
G - Front Axle to Rear of Cab (mm)	700
H - Rear of Cab to Rearmost Item Behind Cab (mm)	183
I - Rearmost Item Behind Cab to Rear Axle (mm)	3417
J - Frame, Rear Axle to End (mm)	1970
N - Height Overall (mm)	3303
O - Air Intake to Cab Roof (mm)	205
P - Height Cab to Ground (mm)	3098
Q - Height Cab to Frame (mm)	2090
R - Height Rear Frame to Ground (mm)	Inflated: 1033 Deflated: 976



FUSO

Call 1800 033 557

or visit fuso.com.au

Body Builder's Notes

Notes	<p>Chassis reinforcement must be utilised for Tipper/Demountable type body configurations. To conform with ADR 13/00 (lighting requirements) the following must be adhered to at body installation.</p> <ul style="list-style-type: none"> - If other than a flat type or tipper body is fitted, rear end out-line marker lamps must be installed. - If overall length exceeds 6.0 metres, side reflectors must be installed. - If overall length exceeds 7.5 metres, side marker lamps must be installed. <p>To conform with ADR 42/04 (General Safety), rear wheel guards must be fitted to the vehicle.</p>
-------	---

Unless specified in writing herein the accessories, applications, bodies or equipment depicted in this document are for illustration purposes only and may not be available from Daimler Truck and Bus Australia Pacific Pty Ltd. (ABN 86 618 413 282) ("DTB"). No representation or warranty whatsoever is given in relation to any accessories, applications, bodies or equipment or suitability of same that are shown herein that may be manufactured, supplied or fitted by a party other than DTB. DTB reserves the right without notice or obligation to discontinue or make changes to the colour, designs, materials and specifications of the products and options referred to herein at any time. For the most current information and in order to ascertain which accessories, applications, bodies and equipment are available from DTB please contact your authorised FUSO Truck and Bus dealer. Fuso is a registered trademark of Daimler Truck and Bus Australia Pacific Pty Ltd. Copyright © DTB. Reproduction in whole or part prohibited without written approval. Part Number TSH53E-SSV2. Valid from 01-Oct-19.